

PREMIER PRODUCTS, Inc.

2840 Sterlington Road
Monroe, LA 71203

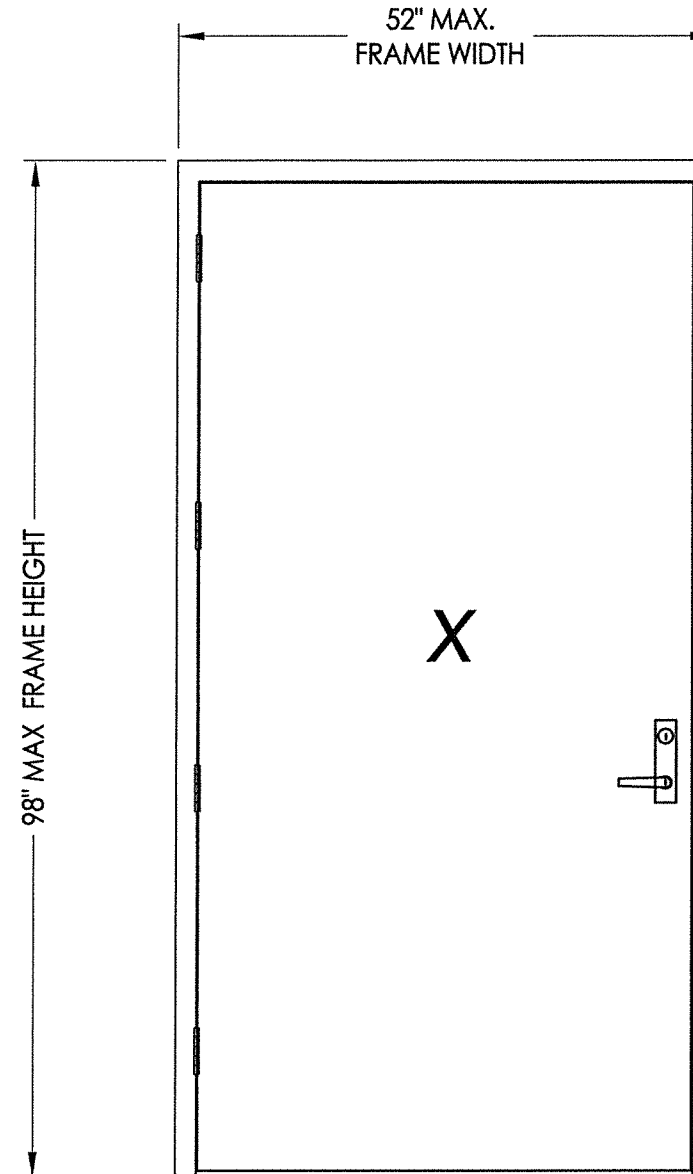
"SWR-S18-4" SEVERE WINDSTORM RATED STEEL DOOR OUTSWING "IMPACT"

GENERAL NOTES

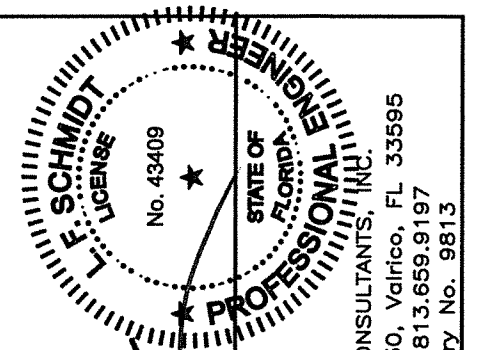
1. This product has been evaluated and is in compliance with the 7th Edition (2020) Florida Building Code (FBC) structural requirements excluding the "High Velocity Hurricane Zone" (HVHZ).
2. Product anchors shall be as listed and spaced as shown on details. Anchor embedment to base material shall be beyond wall dressing or stucco.
3. When used in areas requiring wind borne debris protection this product complies with FBC Sections 1609.1.2 & R301.2.1.2 and does not require an impact resistant covering. This product meets missile level "D" and includes Wind Zone 4 as defined in ASTM E 1996 and FBC Sections 1609.1.2.2 & R301.2.1.2.1.
4. Site conditions that deviate from the details of this drawing require further engineering analysis by a licensed engineer or registered architect.

TABLE OF CONTENTS

SHEET#	DESCRIPTION
1	Typical elevations, design pressures, & general notes
2	Door panel details
3	Horizontal cross sections
4	Vertical cross sections
5	Frame anchoring
6	Bill of materials and components



MAX. OVERALL DIMENSION	DESIGN PRESSURE (PSF)	
	POSITIVE	NEGATIVE
52.0" X 98.0"	+65.0	-65.0



September 9, 2020

Documents Prepared By:
Lyndon F. Schmidt
P.E. No. 43409

R.W. BUILDING CONSULTANTS, INC.
P.O. Box 230, Valrico, FL 33595
Phone No.: 813.659.9197
FBPE Registry No. 9813

PRODUCT:
PREMIER PRODUCTS, INC.

PART OR ASSEMBLY:
TYPICAL ELEVATIONS, DESIGN PRESSURES & GENERAL NOTES

NO.	DATE	REVISIONS
1	9/08/20	UPDATE TO 7TH ED. (2020) FBC

DATE: 4/02/18

SCALE: N.T.S.

DWG. BY: JK

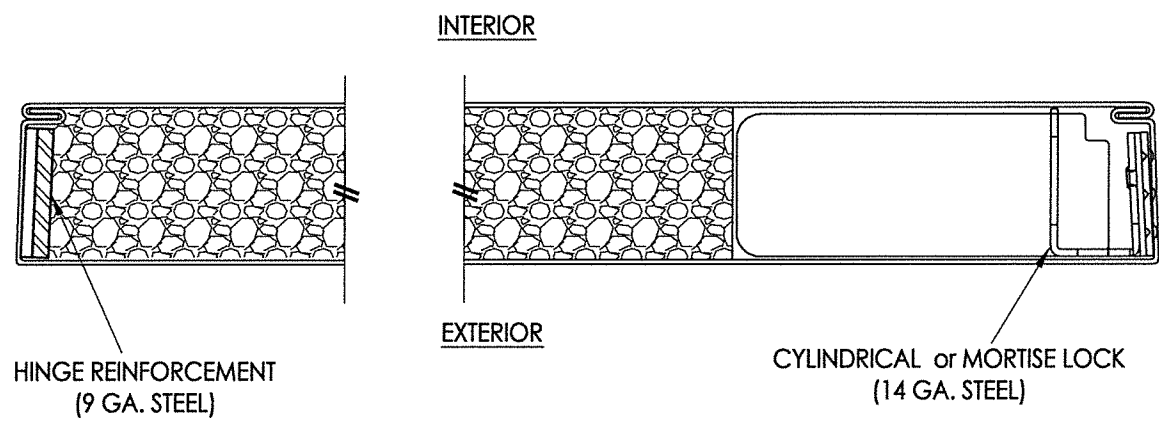
CHK. BY: LFS

DRAWING NO.:
FL-17460.5

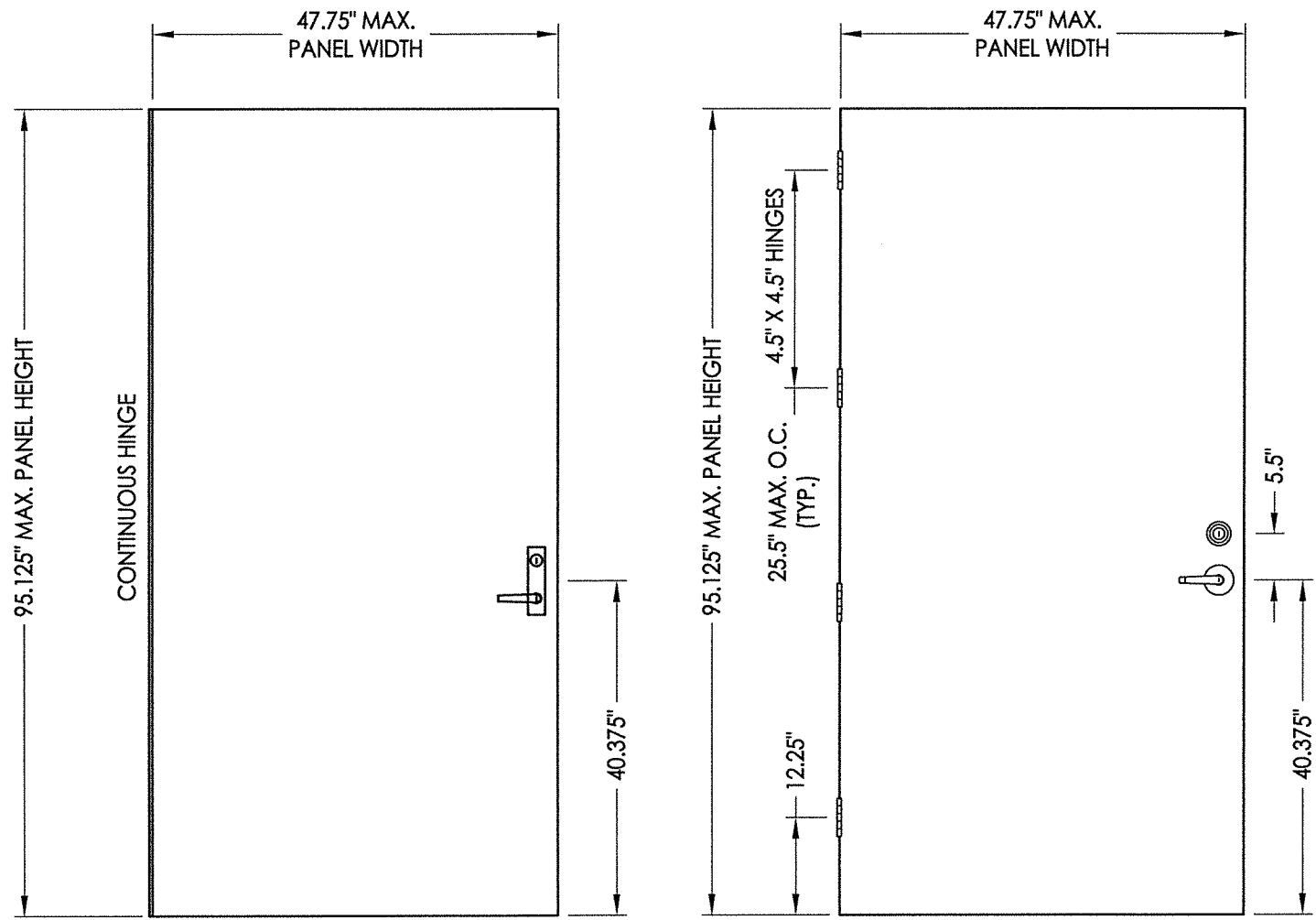
SHEET 1 OF 6

R:\Clients\Premier Products PERMANENTVA - Florida Product Approvals\FL-17460\C - Drawings\FL-17460 (2020)\FL-17460.5.dwg, 2.5

HARDWARE CHART	
MANUFACTURER	MODEL
HAGER	MORTISE LOCK/DEADBOLT : 3800 SERIES
HAGER	LATCH/DEADBOLT : 2500 SERIES / 3100 SERIES

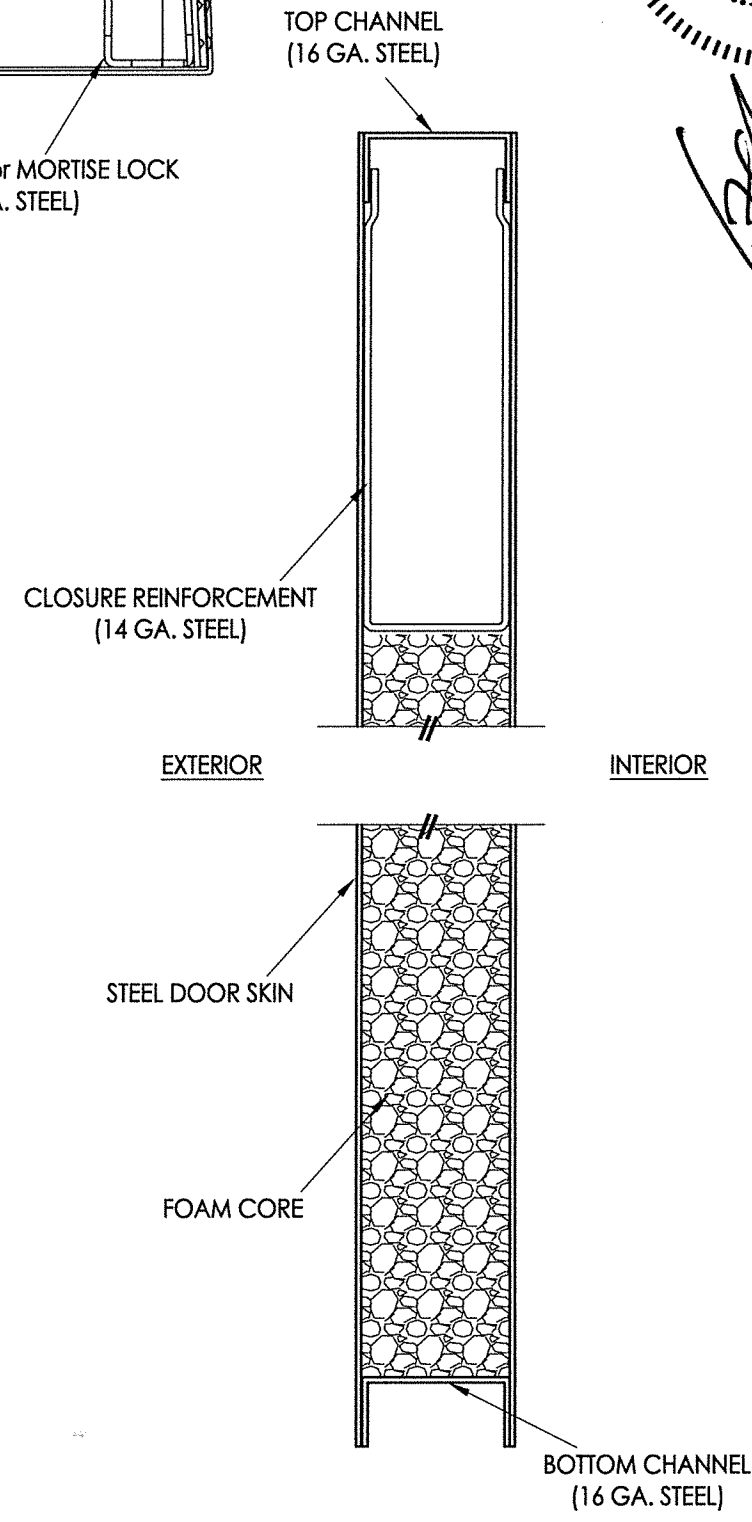


2 HORIZONTAL CROSS SECTION



1 OPAQUE STEEL DOOR PANEL
Shown with Mortise Lock and Continuous Hinge

1 OPAQUE STEEL DOOR PANEL
Shown w/ Lock & Deadbolt and 4-1/2\"/>



1 VERTICAL CROSS SECTION

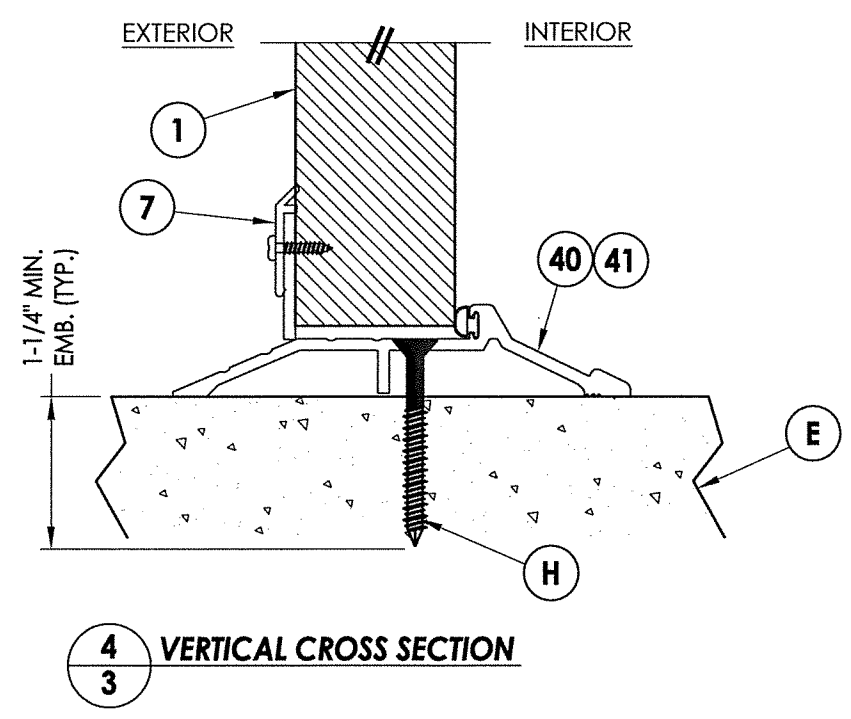
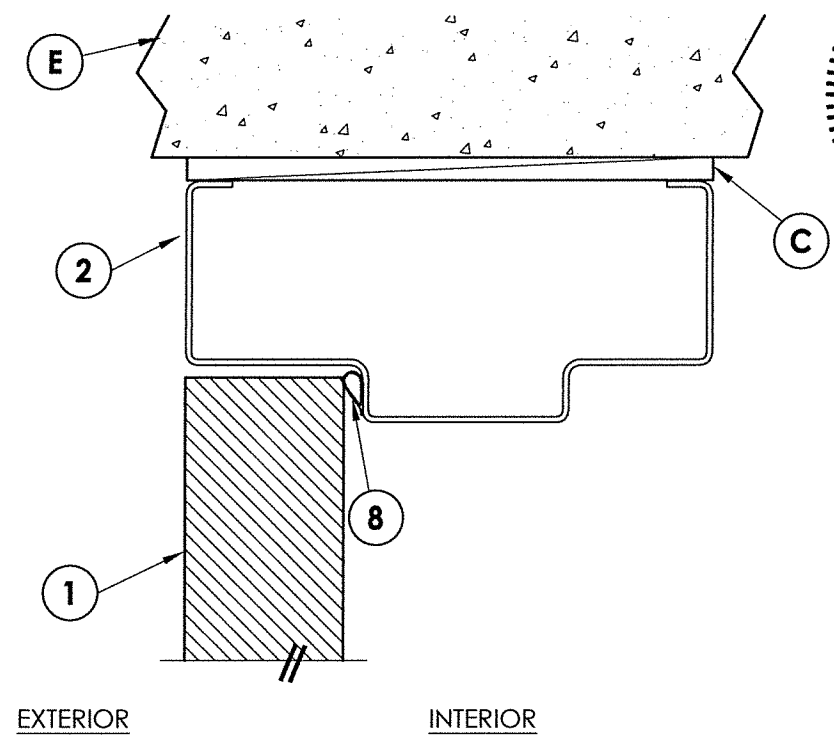
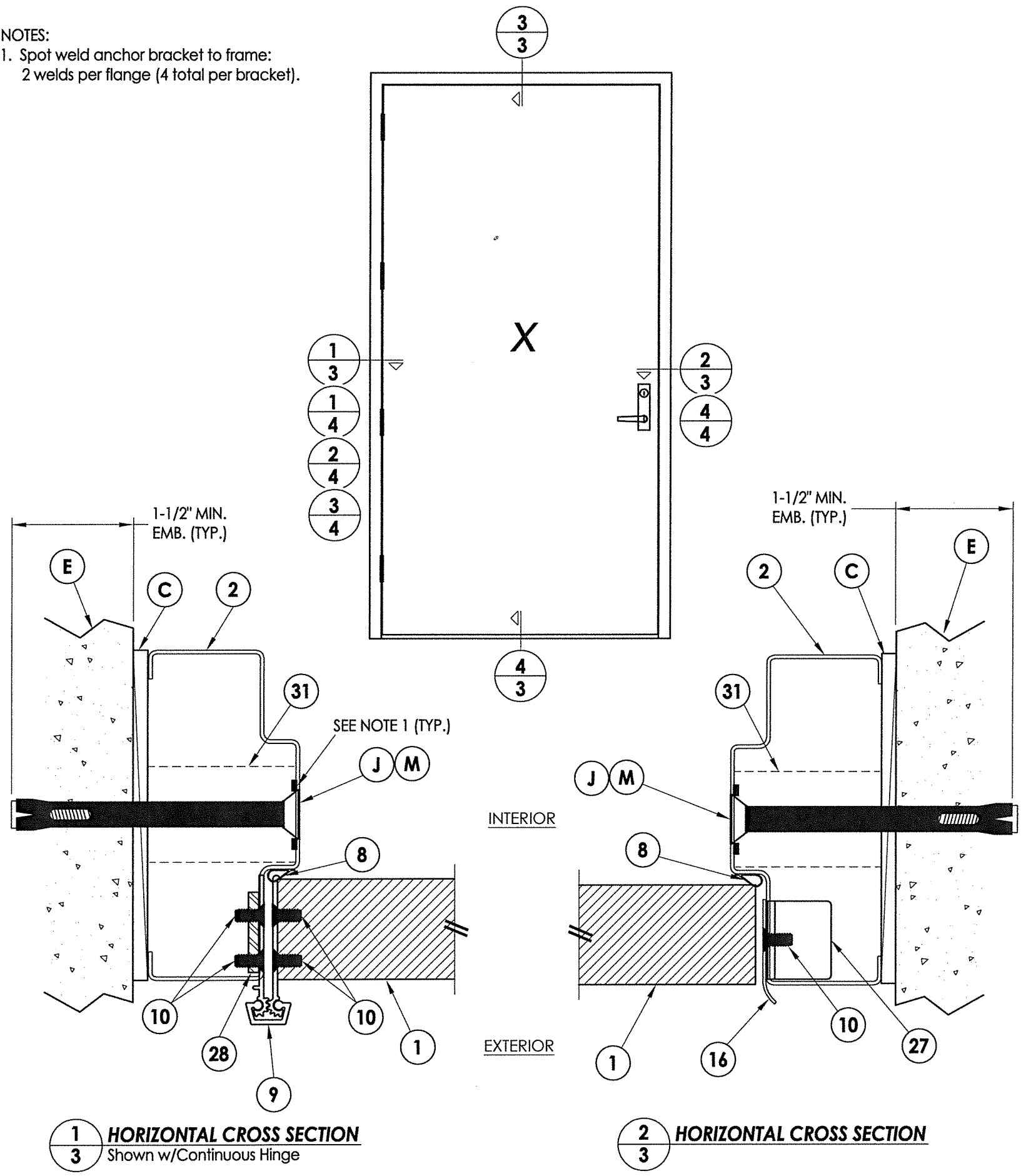
STEEL DOOR SKIN: 18 GA. A60 GALV. (min. 0.042\"/>

September 9, 2020
 Documents Prepared By:
 Lyndon F. Schmidt
 P.E. No. 43409
 R.W. BUILDING CONSULTANTS, INC.
 P.O. Box 230, Valrico, FL 33595
 Phone No.: 813.659.9197
 FBPE Registry No. 9813

PRODUCT: PREMIER PRODUCTS, INC.	
PART OR ASSEMBLY: DOOR PANEL DETAILS	
NO.	REVISIONS
1	9/08/20 UPDATE TO 7TH ED. (2020) FBC
	DATE
	LFS
	BY
DATE: 4/02/18	
SCALE: N.T.S.	
DWG. BY: JK	
CHK. BY: LFS	
DRAWING NO.: FL-17460.5	
SHEET 2 OF 6	

© 2018 R.W. BUILDING CONSULTANTS INC.

NOTES:
 1. Spot weld anchor bracket to frame:
 2 welds per flange (4 total per bracket).



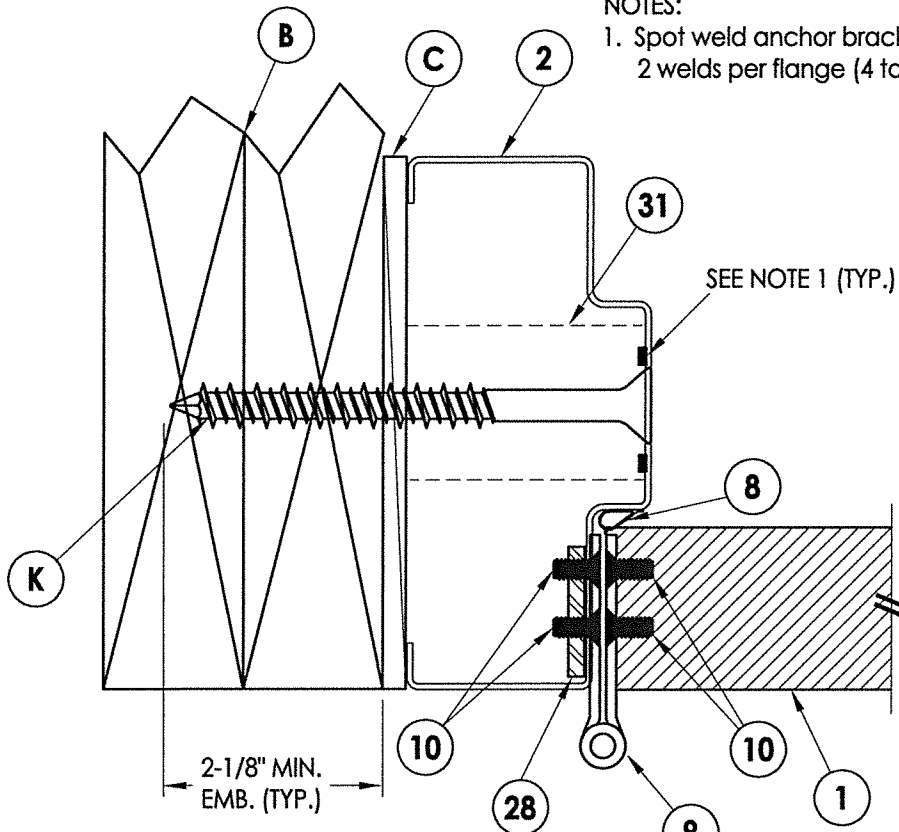
September 9, 2020
 Documents Prepared By:
 Lyndon F. Schmidt
 P.E. No. 43409
 R.W. BUILDING CONSULTANTS, INC.
 P.O. Box 230, Valrico, FL 33595
 Phone No.: 813.659.9197
 FBPE Registry No. 9813

PRODUCT:		PREMIER PRODUCTS, INC.	
PART OR ASSEMBLY:		HORIZONTAL CROSS SECTIONS	
NO.	DATE	BY	REVISIONS
1	9/08/20	LFS	UPDATE TO 7TH ED. (2020) FBC
DATE: 4/02/18			
SCALE: N.T.S.			
DWG. BY: JK			
CHK. BY: LFS			
DRAWING NO.: FL-17460.5			
SHEET 3 OF 6			

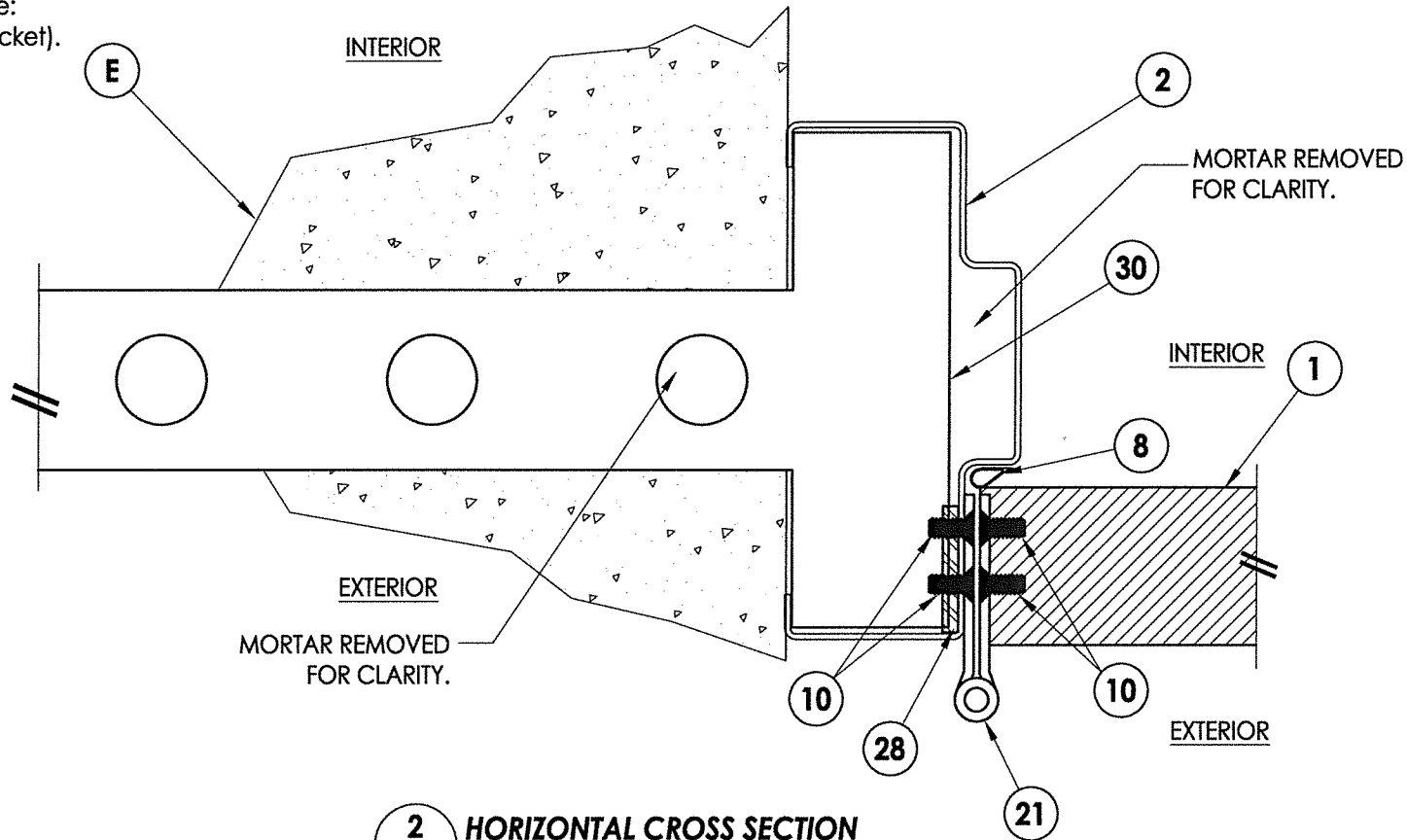
R:\Clients\Premier Products PERMANENTVA - Florida Product Approvals\FL-17460\C - Drawings\FL-17460 (2020)\FL-17460.5.dwg, 4.5

NOTES:

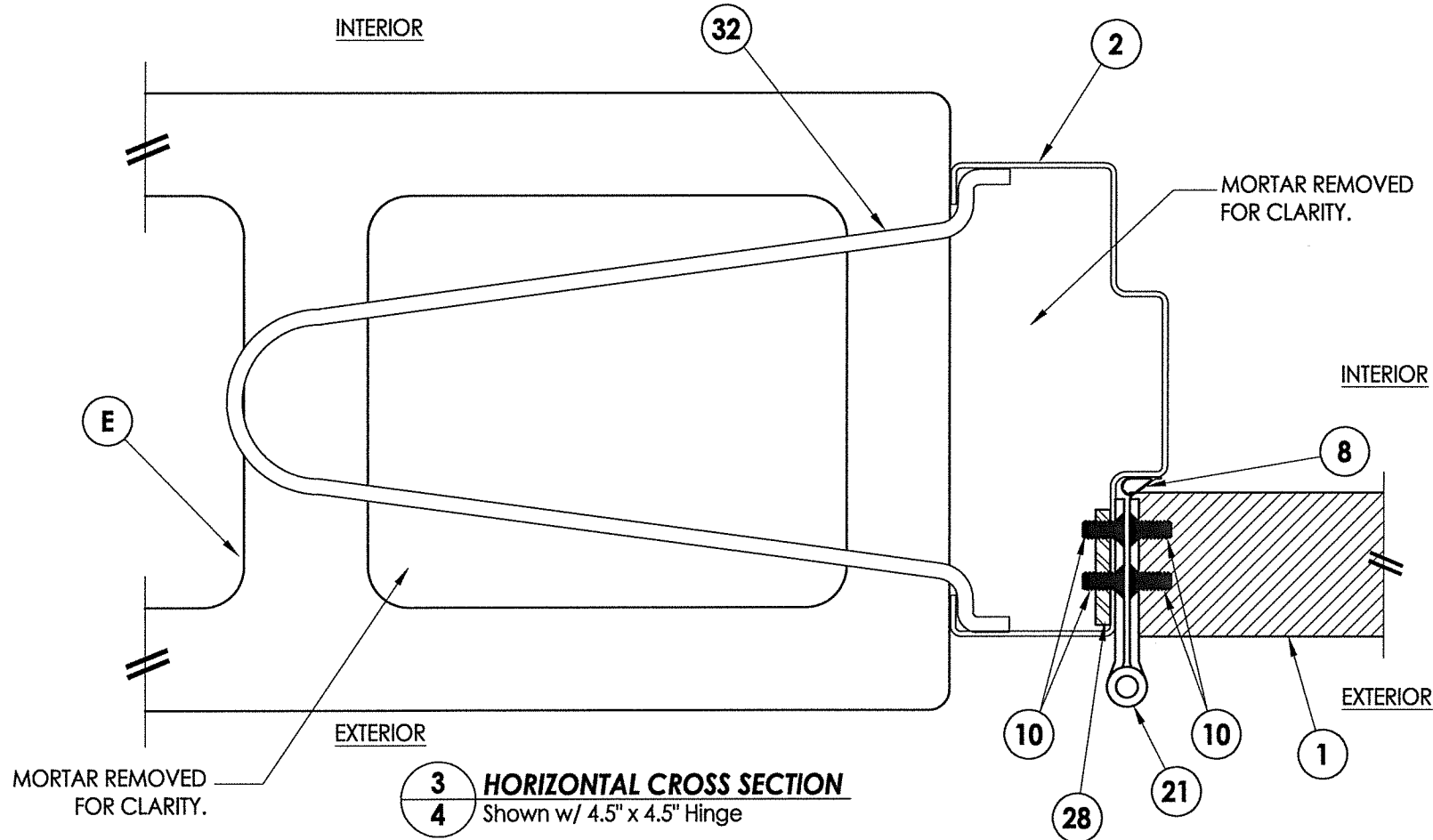
1. Spot weld anchor bracket to frame:
2 welds per flange (4 total per bracket).



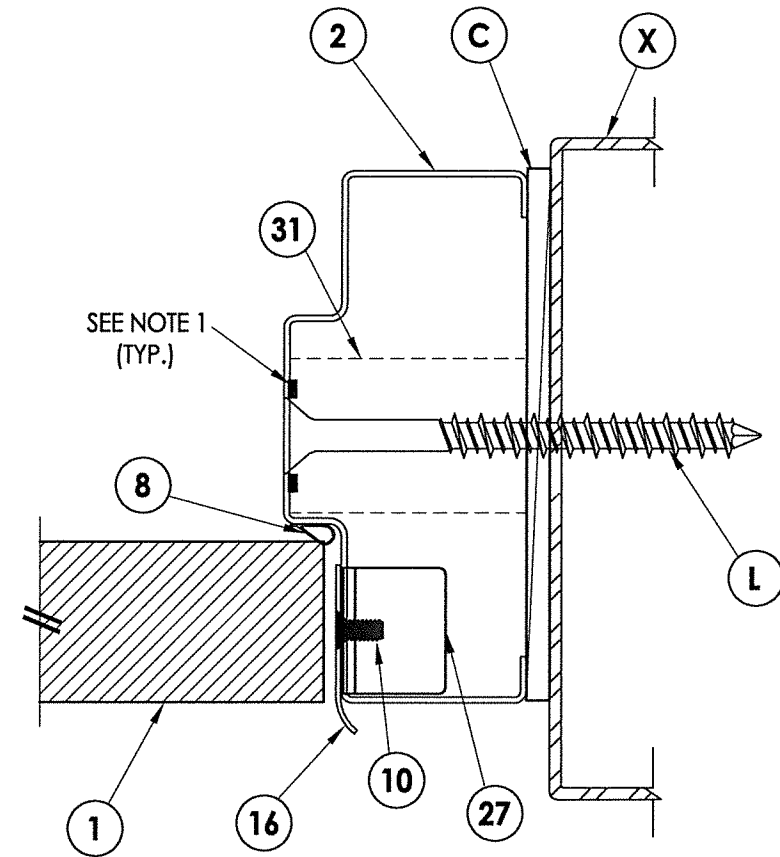
1 HORIZONTAL CROSS SECTION
4 Shown w/ 2x Stud Anchor



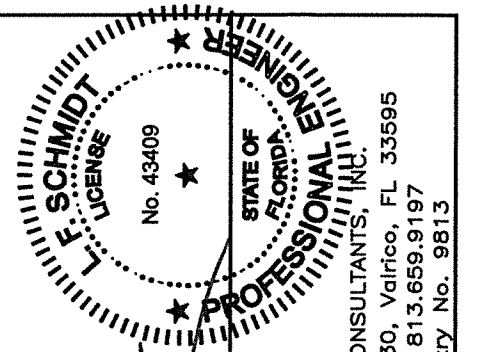
2 HORIZONTAL CROSS SECTION
4 Shown w/ Masonry T Anchor



3 HORIZONTAL CROSS SECTION
4 Shown w/ 4.5\" x 4.5\" Hinge

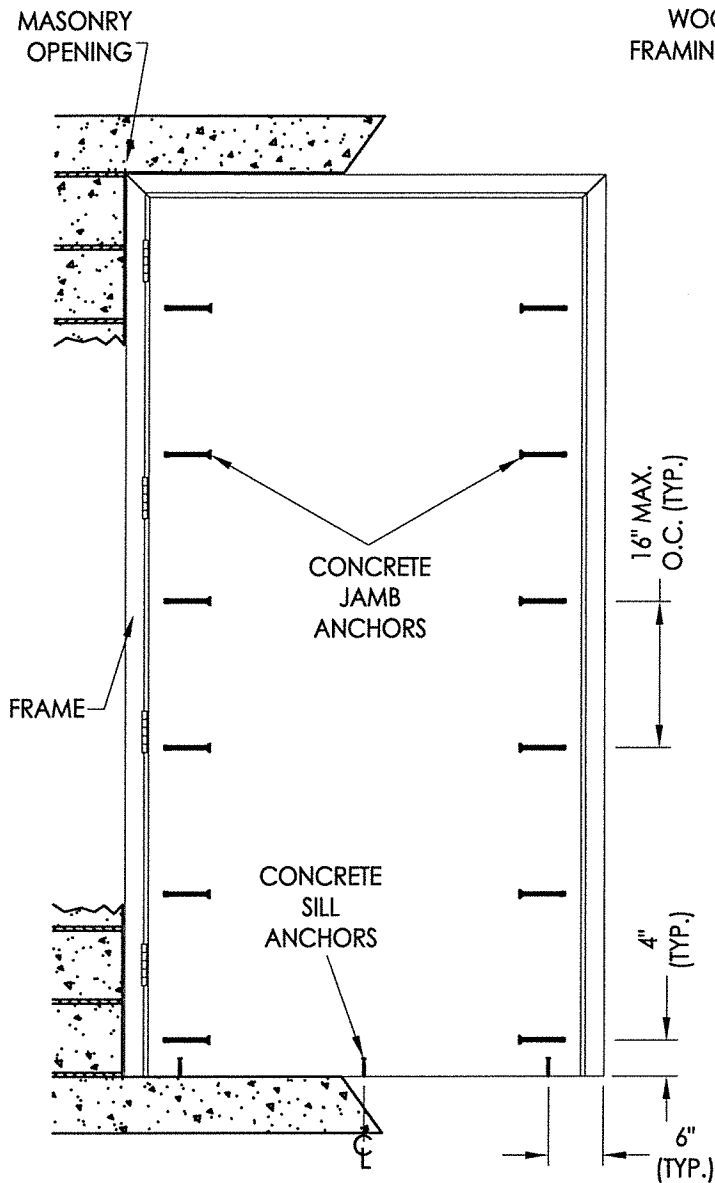


4 HORIZONTAL CROSS SECTION
4 Shown w/ Steel Stud Anchor

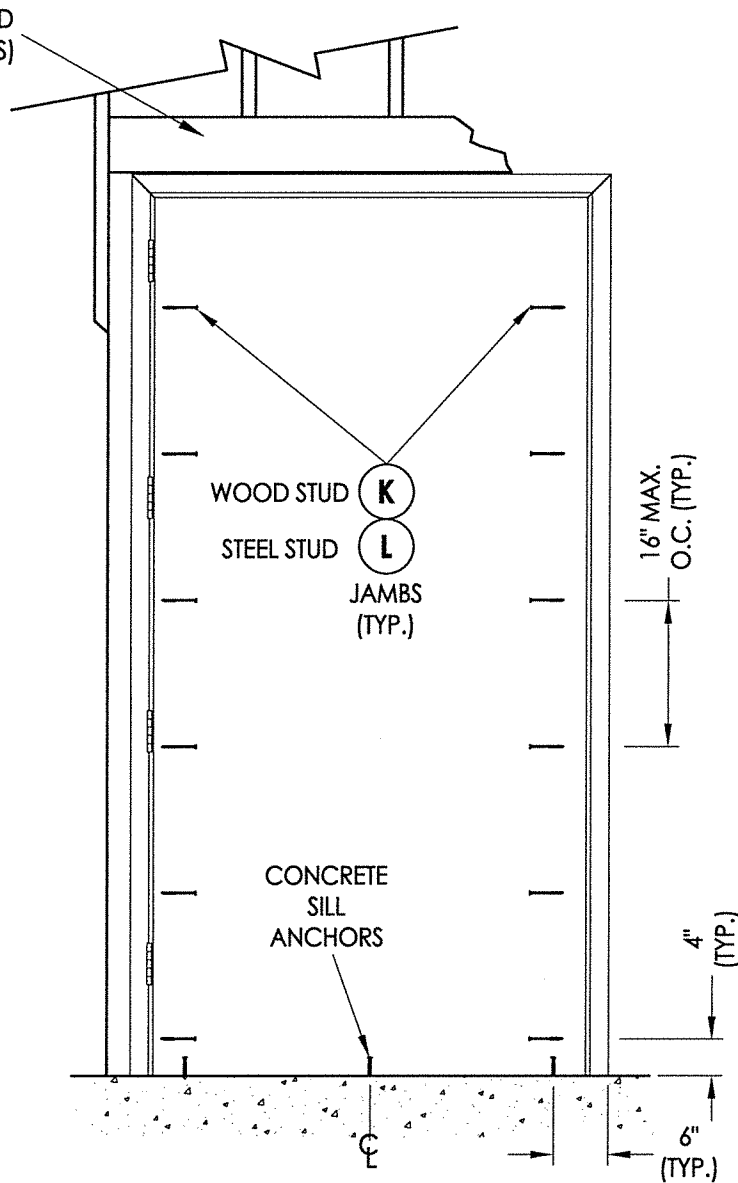


September 9, 2020
 Documents Prepared By:
 Lyndon F. Schmidt
 P.E. No. 43409
 R.W. BUILDING CONSULTANTS, INC.
 P.O. Box 230, Valrico, FL 33595
 Phone No.: 813.659.9197
 FBPE Registry No. 9813

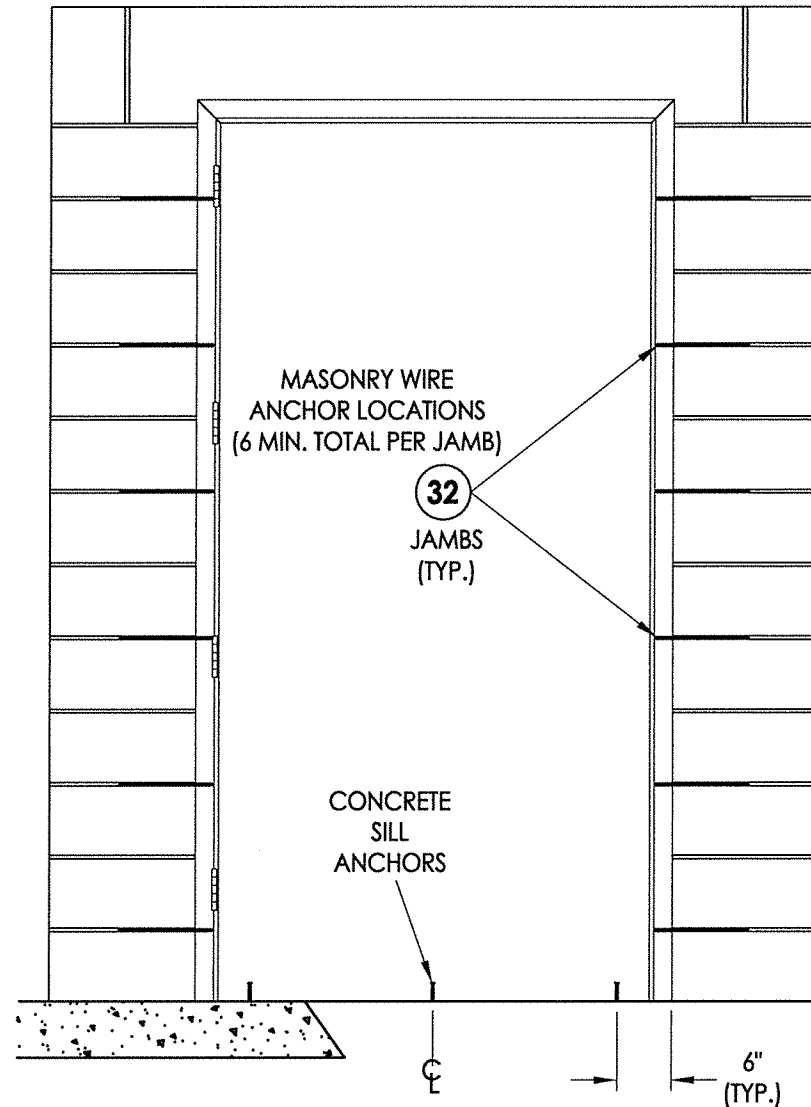
PRODUCT:	PREMIER PRODUCTS, INC.	
PART OR ASSEMBLY:	VERTICAL CROSS SECTIONS	
NO.	DATE	BY
1	9/08/20	LFS
	UPDATE TO 7TH ED. (2020)	FBC
REVISIONS		
DATE:	4/02/18	
SCALE:	N.T.S.	
DWG. BY:	JK	
CHK. BY:	LFS	
DRAWING NO.:	FL-17460.5	
SHEET	4	OF 6



FRAME ANCHORING
Masonry Construction
Concrete Anchors



FRAME ANCHORING
Wood/Steel Stud

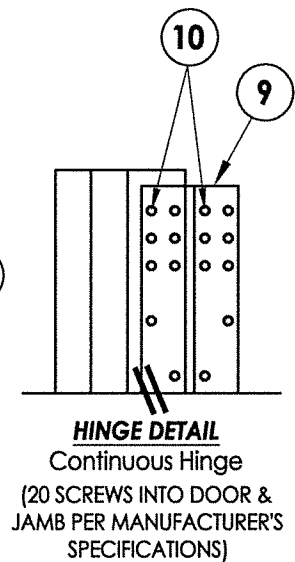
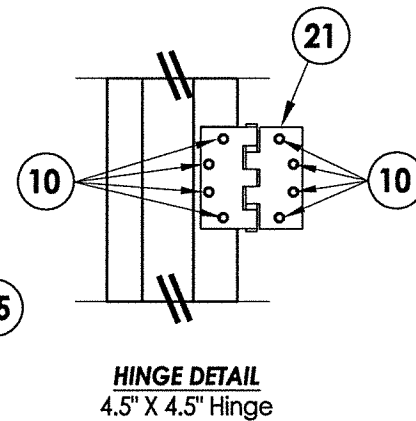
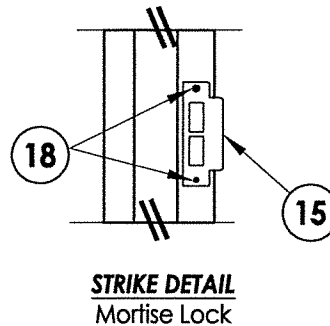
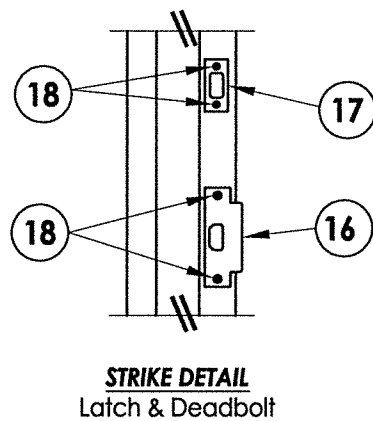


FRAME ANCHORING
Masonry Construction
Masonry Wire Anchors

CONCRETE ANCHOR NOTES:

- Concrete screw locations at the corners may be adjusted to maintain a minimum 1" edge distance to mortar joints. If concrete screw locations noted as "MAX. O.C." must be adjusted to maintain the minimum edge distance to mortar joints, additional concrete screws may be required to ensure the maximum on center dimension is not exceeded.
- Concrete anchor table:

ANCHOR TYPE	ANCHOR LOCATION	ANCHOR SIZE	MANUFACTURER	MIN. EDGE DISTANCE	MIN. EMBEDMENT
CONCRETE ANCHOR SCREW	JAMBS	3/8"	LDT TAPCON® (ITW BUILDEX)	3"	1-1/2"
	SILL	1/4"	TAPCON® (ITW BUILDEX) ULTRACON+® (DeWALT)	2-1/2"	1-1/4"
CONCRETE SLEEVE ANCHOR	JAMBS	3/8"	DYNABOLT SLEEVE ANCHOR® (ITW REDHEAD)	2-1/4"	1-1/2"

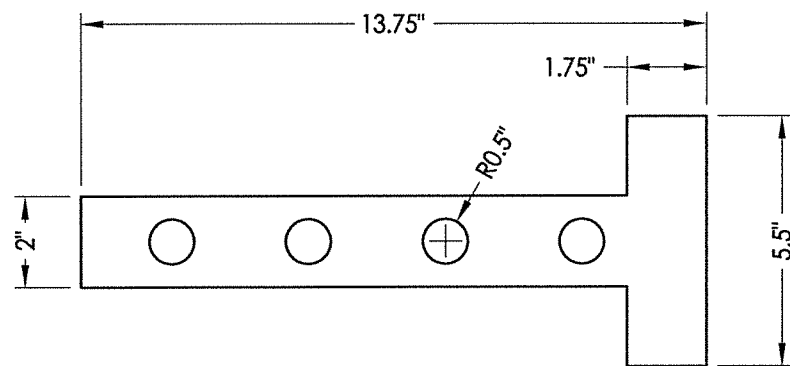


September 9, 2020
 Documents Prepared By:
 Lyndon F. Schmidt
 P.E. No. 43409
 No. 43409
 F.L. SCHMIDT
 LICENSE
 STATE OF FLORIDA
 PROFESSIONAL ENGINEER
 R.W. BUILDING CONSULTANTS, INC.
 P.O. Box 230, Valrico, FL 33595
 Phone No.: 813.659.9197
 FBPE Registry No. 9813

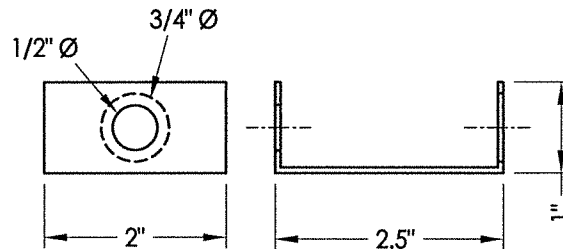
PRODUCT:	PREMIER PRODUCTS, INC.
PART OR ASSEMBLY:	FRAME ANCHORING
DATE:	4/02/18
SCALE:	N.T.S.
DWG. BY:	JK
CHK. BY:	LFS
DRAWING NO.:	FL-17460.5
SHEET	5 OF 6
NO.	1
DATE	9/08/20
UPDATE TO	7TH ED. (2020)
BY	LFS
REVISIONS	

R:\Clients\Premier Products PERMANENTVA - Florida Product Approvals\FL-17460\C - Drawings\FL-17460 (2020)\FL-17460.5.dwg, 6.5

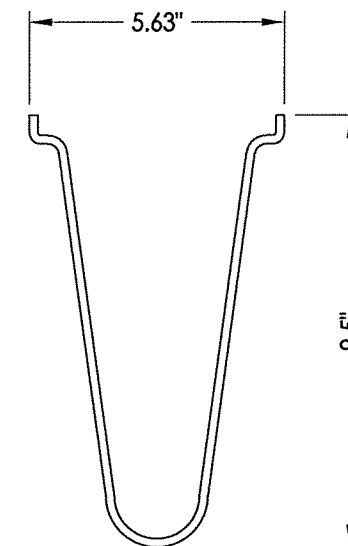
BILL OF MATERIALS		
ITEM #	DESCRIPTION	MATERIAL
C	1/4" MAX. SHIM SPACE	-
D	1/4" X 2-3/4" DeWALT OR ITW CONCRETE SCREW	STEEL
E	MASONRY - 3,000 PSI MIN. CONCRETE CONFORMING TO ACI 301 OR HOLLOW BLOCK (GROUT FILLED) CONFORMING TO ASTM C90	CONCRETE
H	1/4" X 2-1/4" PFH CONCRETE SCREW (SEE CONCRETE ANCHOR TABLE)	STEEL
J	3/8" X 5" PFH DYNABOLT SLEEVE ANCHOR (SEE CONCRETE ANCHOR TABLE)	STEEL
K	3/8" X 5" FH LAG SCREW (2-1/8" MIN. EMBEDMENT)	STEEL
L	3/8" Ø SMS (MUST PENETRATE MIN. 3 THREADS THROUGH STEEL STUD)	STEEL
M	3/8" X 5" LDT TAPCON CONCRETE SCREW (SEE CONCRETE ANCHOR TABLE)	STEEL
1	STEEL DOOR PANEL	-
2	HOLLOW METAL FRAME (16 GA)	STEEL
7	DOOR SWEEP (PEMKO 315 BN)	-
8	WEATHERSTRIP (PEMKO S88)	STEEL
9	HAGER FULL CONTINUOUS GEARED ALUMINUM HINGE (ROTON MODEL 780-224-HD)	ALUM
10	#12-24 X 1/2" PFH MACHINE SCREW	STEEL
11	#8 x 3/4" COMBINATION WOOD/MACHINE SCREW	STEEL
14	RIM PANIC DEVICE STRIKE PLATE	STEEL
15	MORTISE STRIKE PLATE	STEEL
16	LATCH STRIKE PLATE	STEEL
17	DEADBOLT STRIKE PLATE	STEEL
18	#12 X 1" FH SCREW	STEEL
19	DEADBOLT STRIKE REINFORCEMENT	STEEL
21	4-1/2" X 4-1/2" HINGE (HAGER BB1199)	STEEL
27	FRAME STRIKE REINFORCEMENT (14 GA)	STEEL
28	FRAME HINGE REINFORCEMENT (9 GA)	STEEL
30	MASONRY 'T' ANCHOR	STEEL
31	EXISTING WALL ANCHOR	STEEL
32	WIRE ANCHOR	STEEL
40	THRESHOLD (PEMKO 181 V)	ALUMINUM
41	THRESHOLD (PEMKO 2005 V)	ALUMINUM



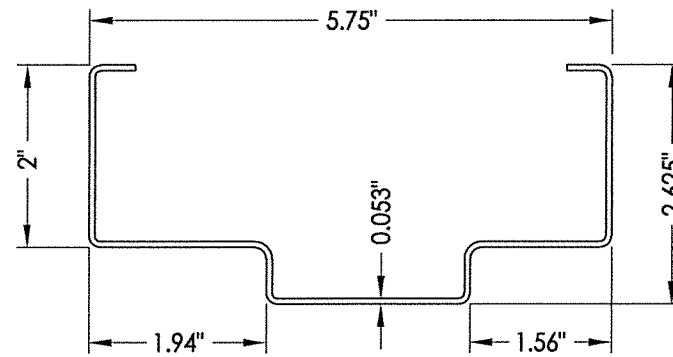
30 MASONRY 'T' ANCHOR
16 GA STEEL



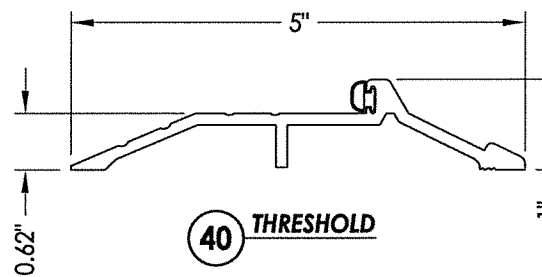
31 EXISTING WALL ANCHOR



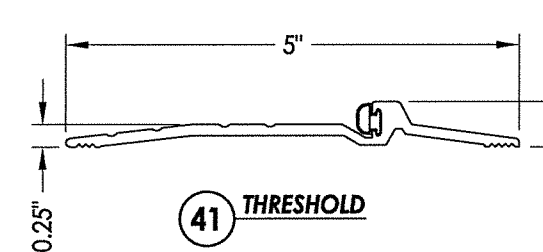
32 WIRE ANCHOR
9 GA STEEL



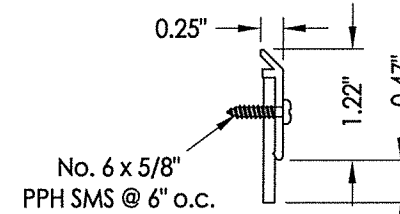
2 HOLLOW METAL FRAME



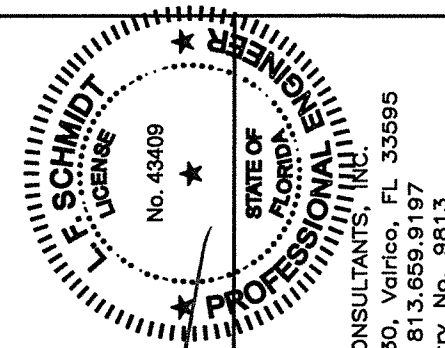
40 THRESHOLD



41 THRESHOLD



7 DOOR SWEEP



September 9, 2020

Documents Prepared By:
Lyndon F. Schmidt
P.E. No. 43409

R.W. BUILDING CONSULTANTS, INC.
P.O. Box 230, Valrico, FL 33595
Phone No.: 813.659.9197
FBPE Registry No. 9813

PRODUCT:
PREMIER PRODUCTS, INC.

PART OR ASSEMBLY:
BILL OF MATERIALS
& COMPONENTS

NO.	DATE	DESCRIPTION	LFS	BY
1	9/08/20	UPDATE TO 7TH ED. (2020) FBC		

DATE: 4/02/18

SCALE: N.T.S.

DWG. BY: JK

CHK. BY: LFS

DRAWING NO.: FL-17460.5

SHEET 6 OF 6